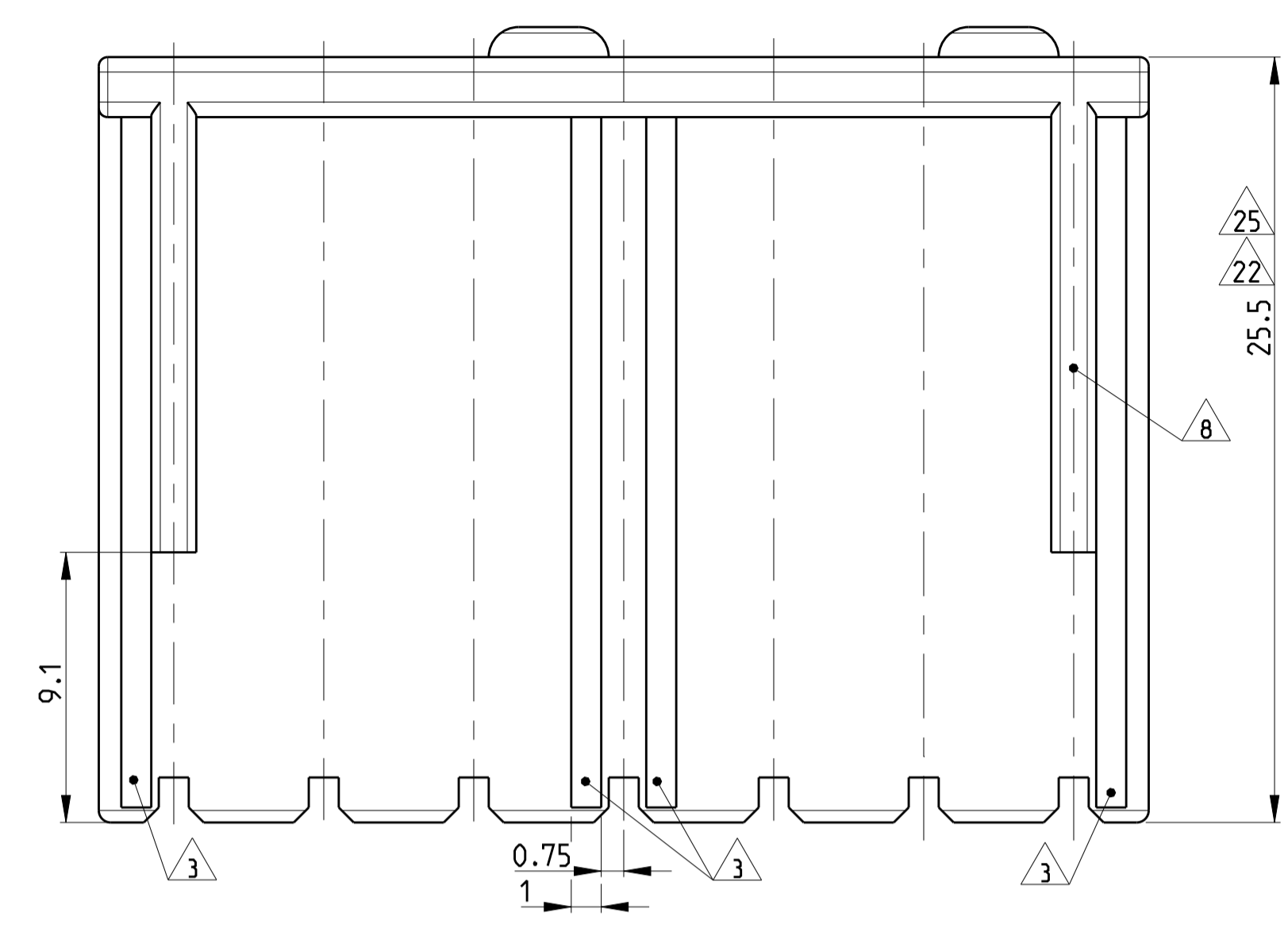
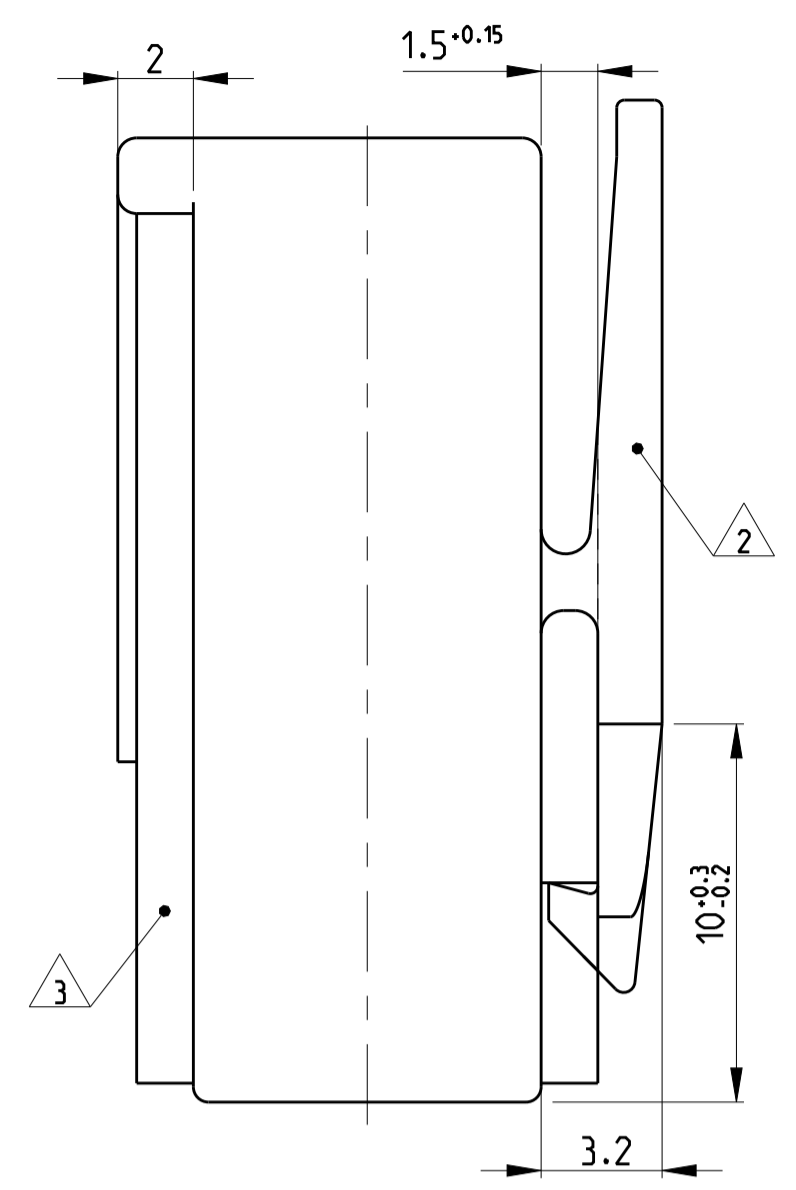
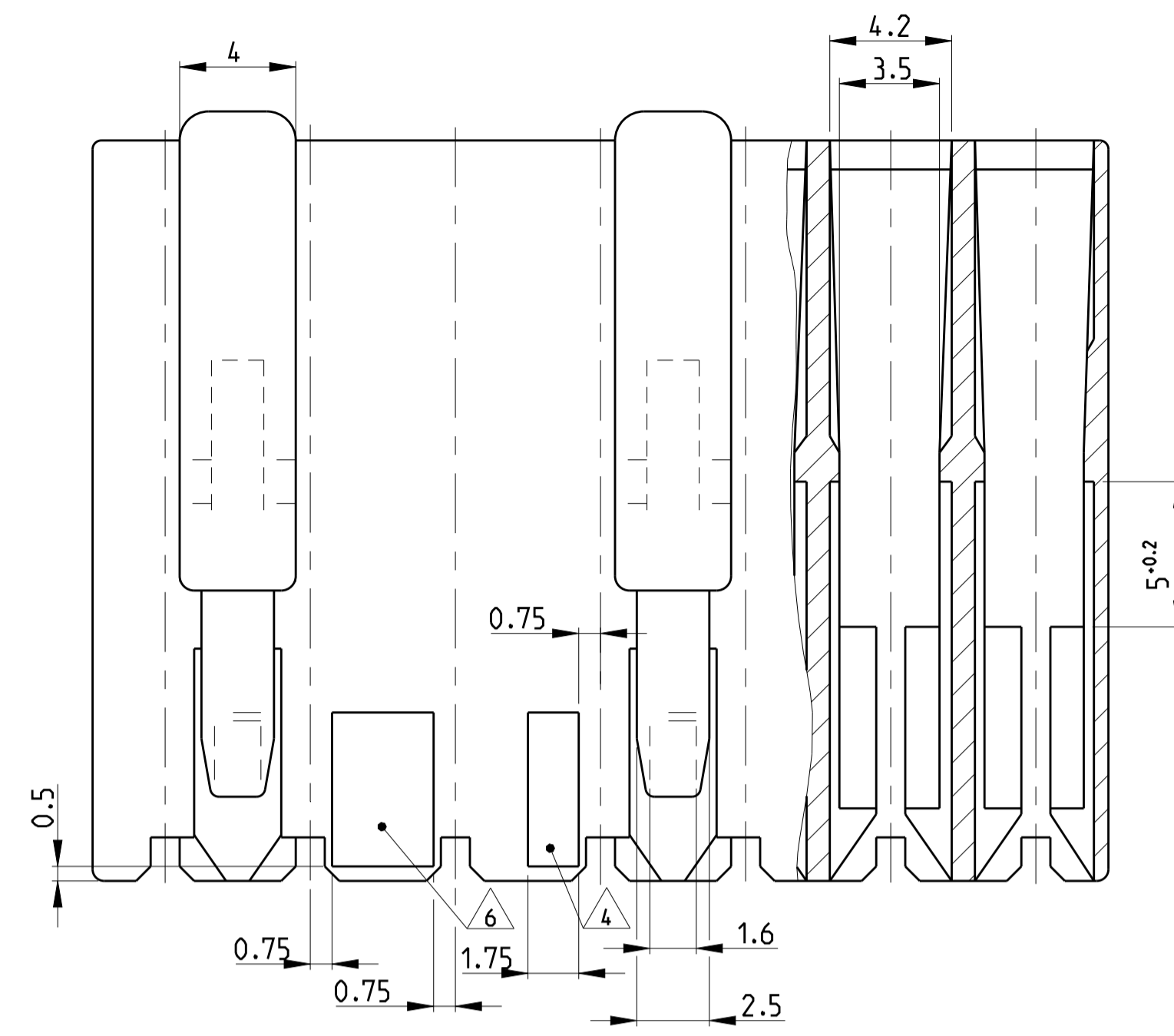
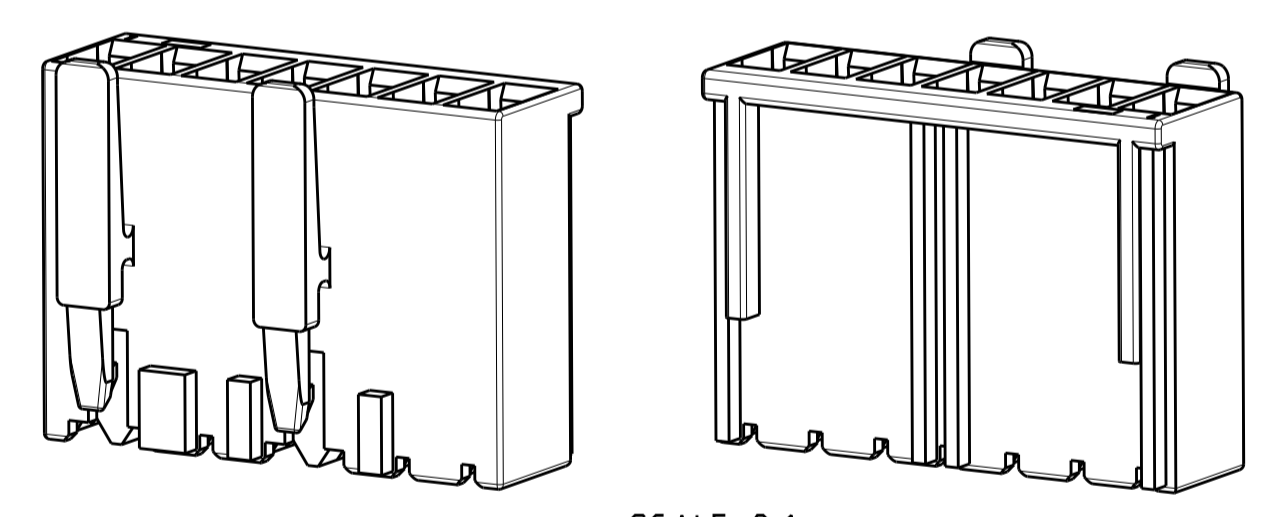
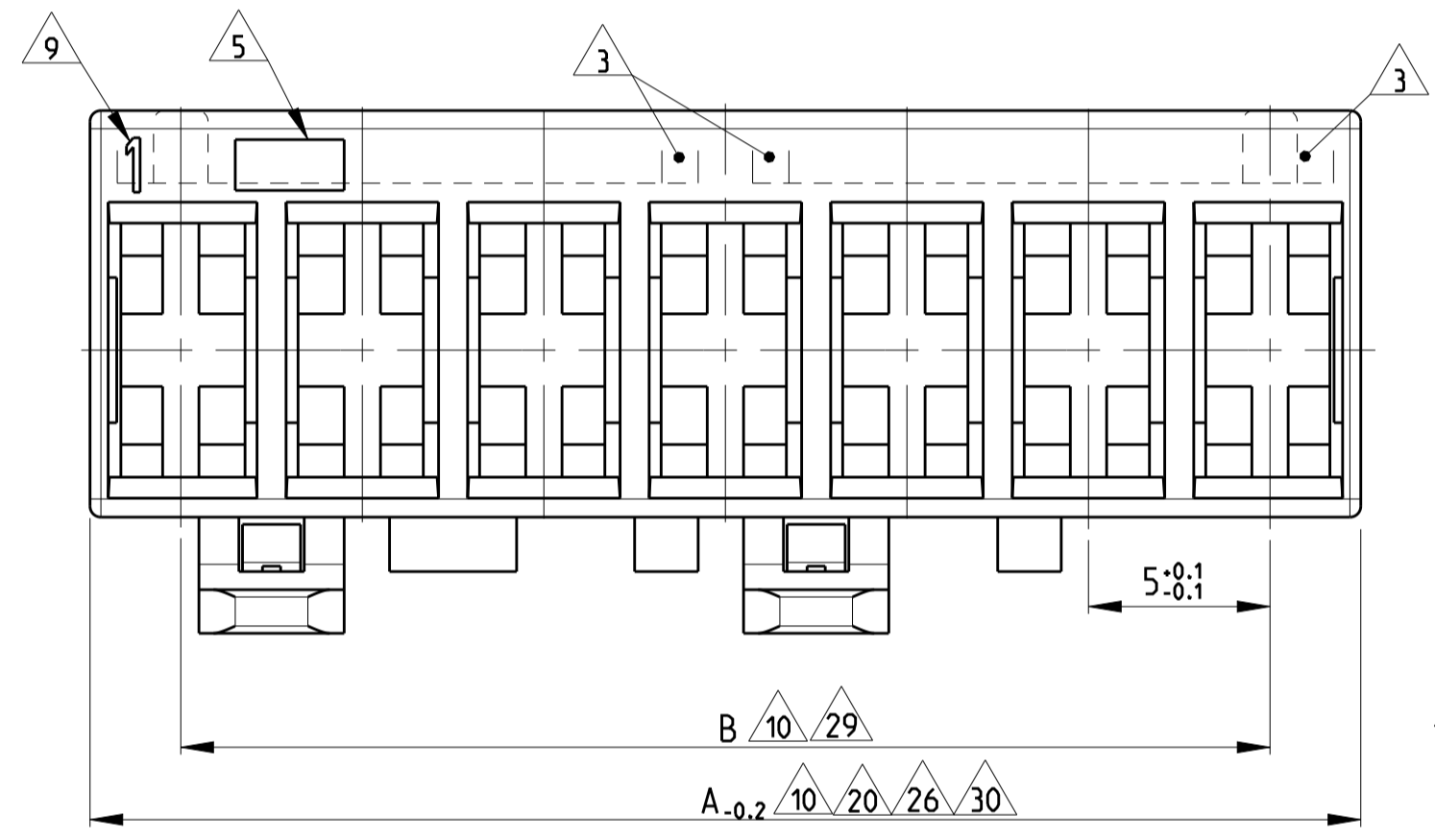
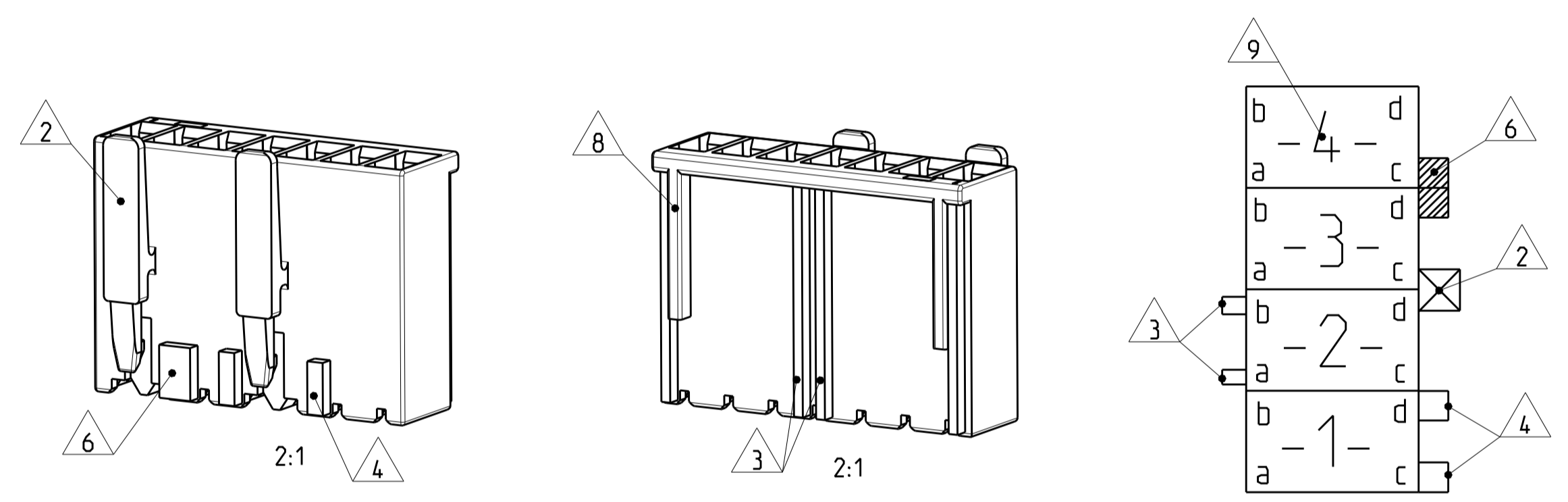


| LOC | | DIST | | REVISIONS | | | |
|-----|---------------|-------------|-----------|-----------|------|--|--|
| P | LTR | DESCRIPTION | DATE | DNW | APVD | | |
| B26 | ECR-15-012741 | | 22SEP2015 | KD | RR | | |
| B27 | ECR-15-015509 | | 05NOV2015 | KD | RR | | |

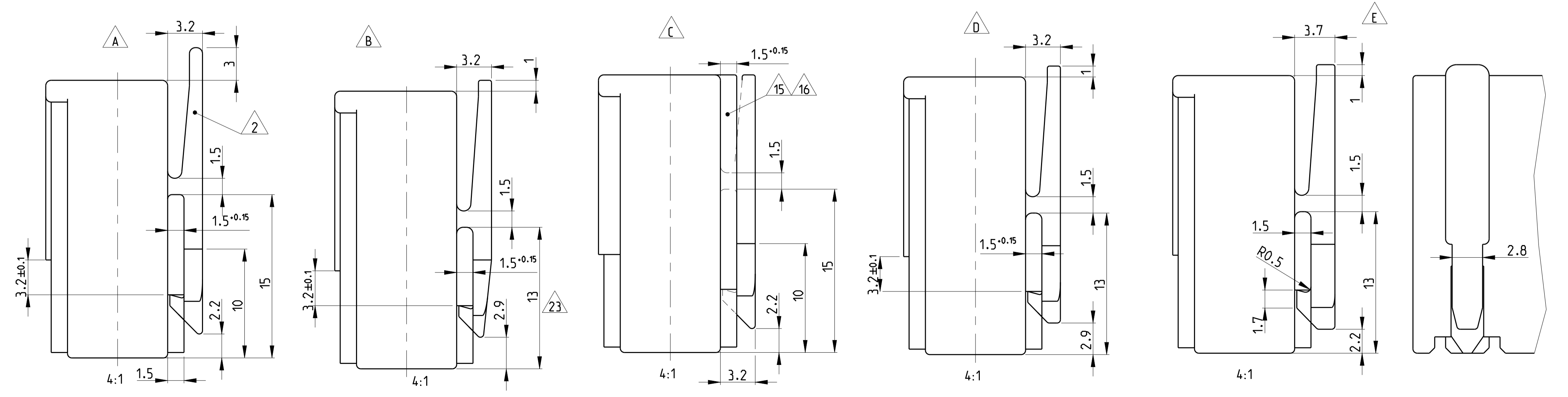


DESCRIPTION
POSITION OF THE KEYING RIBS, POLARISATION RIBS AND THE LOCKING LATCH



PAY ATTENTION!
DIFFERENT LOCKING LATCHES

ALL OTHER DIMENSIONS ARE SAME

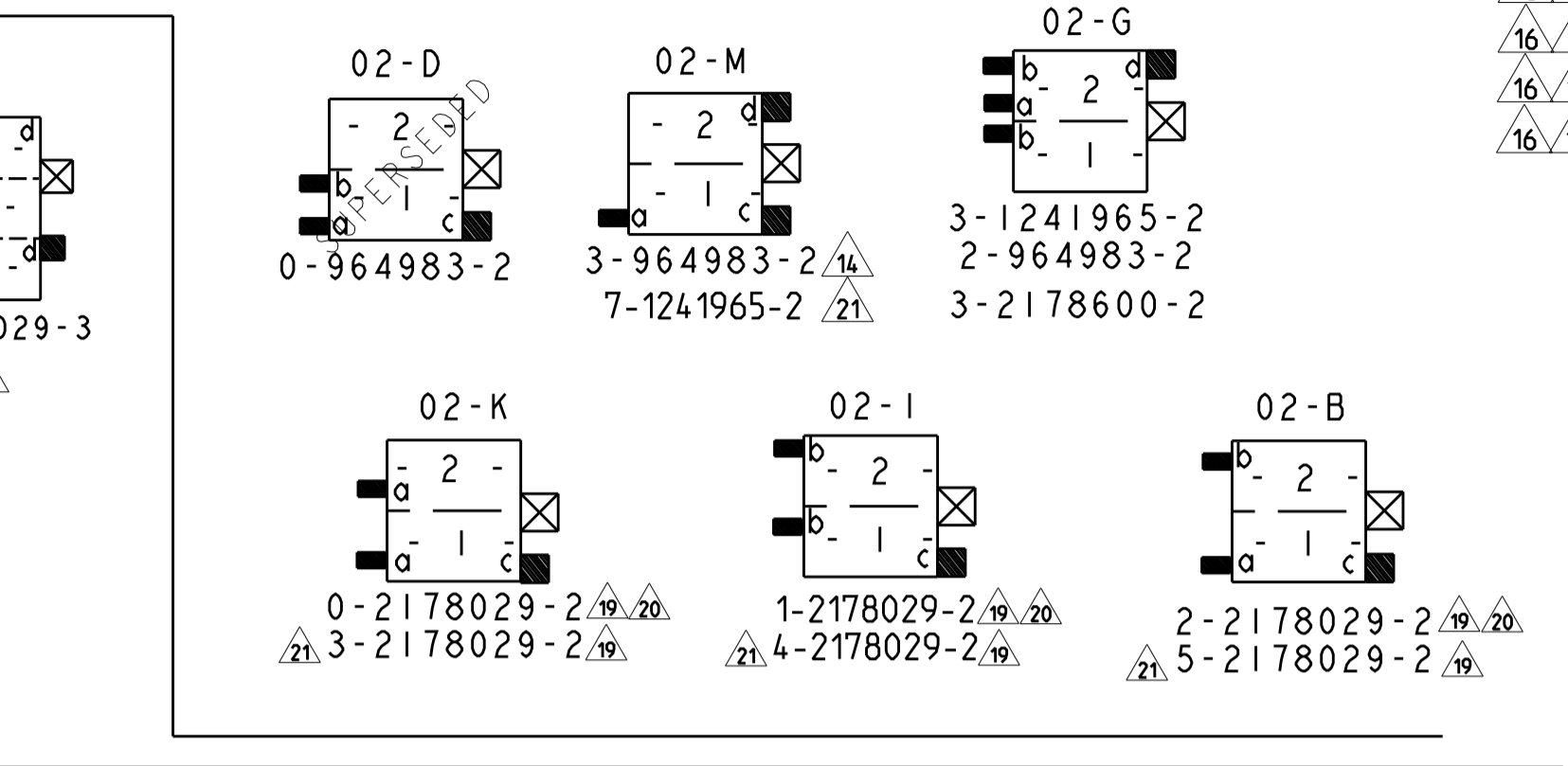
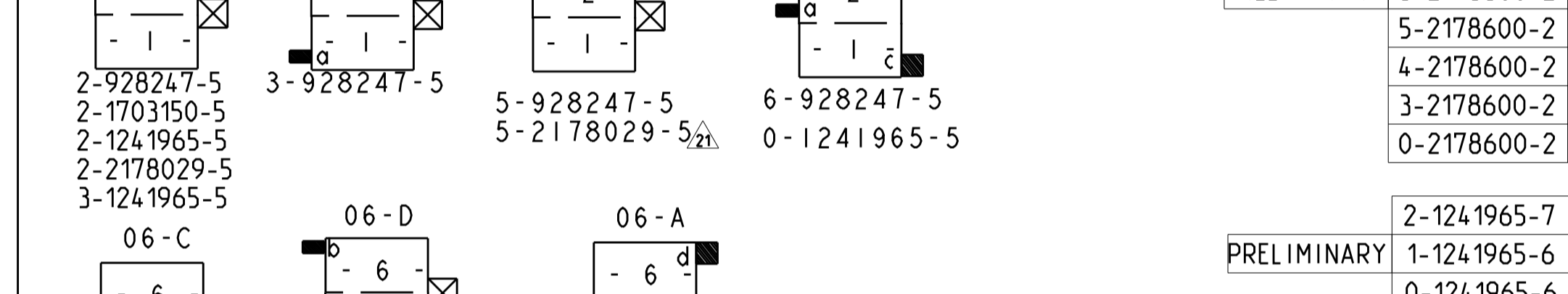
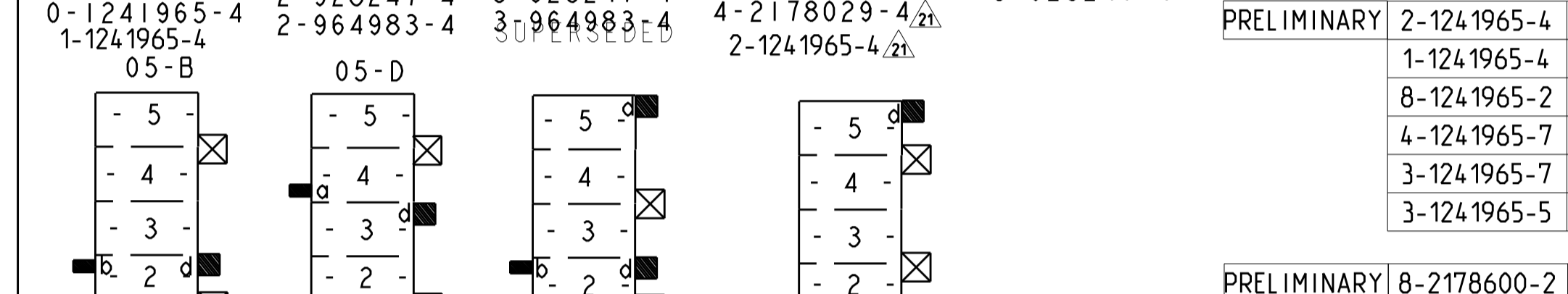
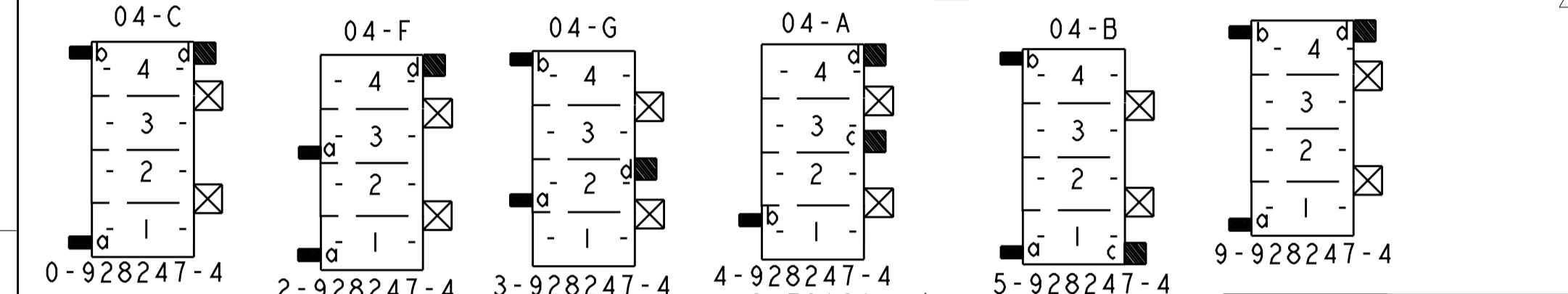
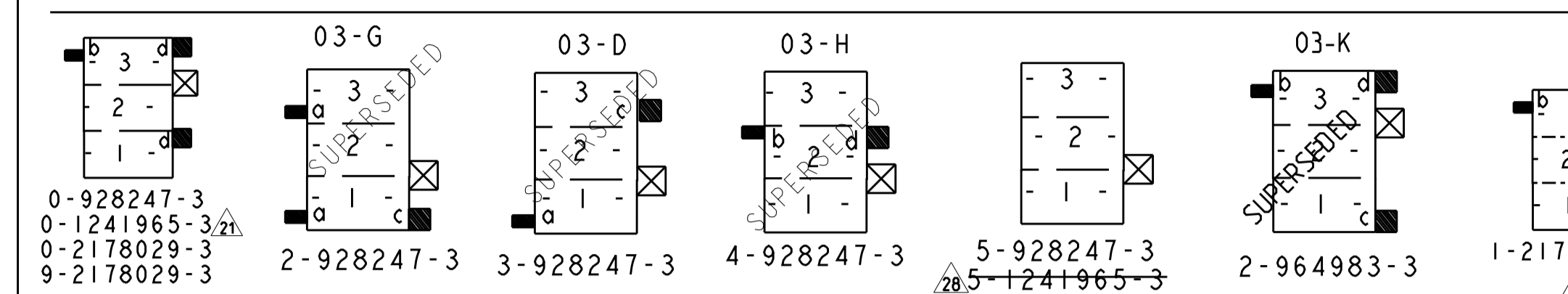
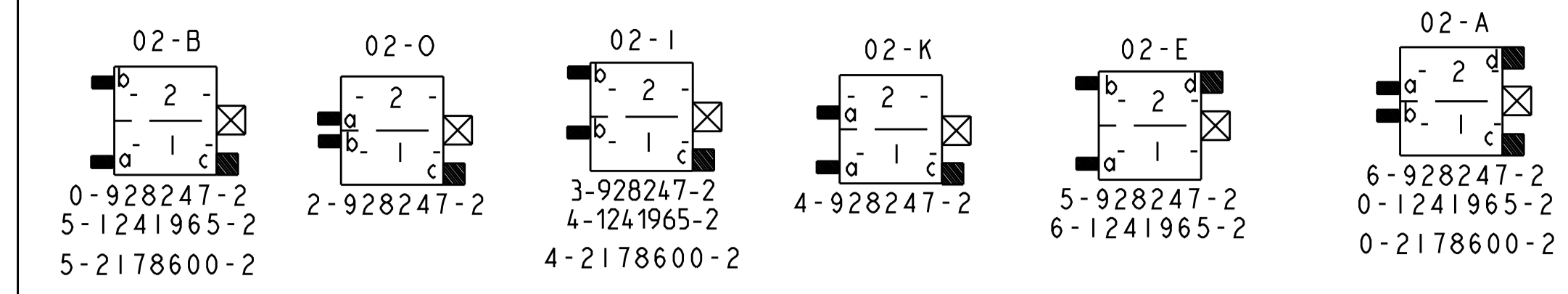


- 1 CAVITY SUITABLE TO STANDARD TIMER CONTACTS LISTED IN PROD. SPEC: 108-18049, ITEM 3.3.2
Kammer geeignet für Standard Timer Kontakte gelistet in Prod. Spec. 108-18049, Punkt 3.3.2
- 2 LOCKING LATCH BETWEEN CAVITY NO.
Rasthaken zwischen Kammernummer
- 3 POLARIZATION RIB POSITION "a" OR POSITION "b", AT CAVITY NO..
Polarisierungsrippen (Lage "a") oder (Lage "b") versetzt bei Kammer Nr
- 4 KEYING RIB POSITION "c" OR POSITION "d", AT CAVITY NO..
Kodierungsrippen nach unten (Lage "c") oder oben (Lage "d") versetzt bei Kammernummer
- 5 AREA FOR TE LOGO ACC. TO SPEC 202-36
Bereich für TE Logo nach Spec. 202-36
- 6 WIDTH KEYING RIB BETWEEN CAVITY NO.
Breite Kodierrippe zwischen Kammer Nr.
- 7 SUITABLE TO TAB 6.3x0.8mm AND 4.8x0.8mm ACCORDING TO DIN 46244
Geeignet für Flachstecker 6.3x0.8mm und 4.8x0.8mm nach DIN 46244
- 8 MATING STOP BETWEEN CAVITY NO.1 AND 2, ALSO BETWEEN THE LAST AND THE LAST BUT ONE CAVITY
Tiefenanschlag zwischen Kammer Nr.1 und 2, ebenfalls zwischen der letzten und vorletzten Kammer
- 9 CONTACT CAVITY NO.
Kammernummer
- 10 DIMENSION A AND DIMENSION B SEE SHEET 2 OF 3
Maß A und Maß B siehe Blatt 2 von 3
- 11 MATED WITH TE CONNECTOR: SEE TABLE, SHEET 2 OF 3
Passender TE Gegenstecker: siehe Tabelle, Seite 2 von 3
- 12 GENERAL SUITABLE TAB HEADER HOUSING SEE RAST 5 PERFORMANCE
Generell passende Flachsteckerwanne, siehe RAST 5 Vorgabe
- 13 CONNECTION TO THE PC BOARD SEE DRAWING 88-9935-4
Leiterplattenanschluß siehe Zeichnung 88-9935-4
- 14 SEE TABLE, SHEET 2 OF 3
Siehe Tabelle, Blatt 2 von 3
- 15 MATERIAL CORRESPONDS TO THE REQUIREMENT EN 60335 (INCL. GLOW WIRE TEST 750°C WITHOUT FLAME)
- 16 WIRE TANGLING PROTECTION
- 17 WIRE TANGLING PROTECTION IN COMBINATION WITH CODING RIBS, ONLY VALID FOR VERSIONS 5-964702-3, 0-964702-3, 0-964702-1
- 18 KEYING ACC. TO RAST-5 STANDARD; COLOUR IS DIFFERENT
- 19 8 POS. SPECIAL VERSION WITH SWAGED KEYING RIB
- 20 SPECIAL MATERIAL PA66, UL 94 V0
- 21 DIMENSION "A" IS ACCEPTED WITHIN TOLERANCE +0.05/-0.20.
- 22 PRELIMINARY PART- NOT YET RELEASED FOR PRODUCTION
- 23 ONLY FOR PN 2178600-2, 3-2178600-2, 4-2178600-2, 5-2178600-2, TOLERANCE IS +0.4 -0.2, WORST CASE CAN BE OUT OF RAST STANDARD.
- 24 ONLY FOR PN 2178600-2, 3-2178600-2, 4-2178600-2, 5-2178600-2, TOLERANCE IS ±4°
- 25 ONLY FOR PN 3-1241965-5, 3-1241965-7 TOLERANCE IS +0.3 -0.2
- 26 ONLY FOR PN 3-1241965-5, 3-1241965-7 TOLERANCE IS +0.2 -0.2
- 27 ONLY FOR PN 3-1241965-5, 3-1241965-7 TOLERANCE IS +0.05 -0.2
- 28 OBSOLETE PART
- 29 ONLY FOR 4-1241965-7, TOLERANCE IS -0.3
- 30 ONLY FOR 4-1241965-7, TOLERANCE IS +0.2/-0.25

| | | | | | |
|---------------------------------------------|--|----------------------------|-------------------------|-----------------------------------------------------------|--|
| THIS DRAWING IS A CONTROLLED DOCUMENT. | | DNW: Kishor M 07-NOV-06 | | TE Connectivity | |
| DIMENSIONS: mm | | CHK: K. Munz 07-NOV-06 | | NAME: 2-12 POS. STANDARD TIMER HSG. WITH EXTERIOR LOCKING | |
| TOLERANCES UNLESS OTHERWISE SPECIFIED: ±0.2 | | APVD: T. Klenner 07-NOV-06 | PRODUCT SPEC: 108-18049 | | |
| MATERIAL: SEE TABLE | | FINISH: - | APPLICATION SPEC: - | | |
| WEIGHT: - | | SIZE: A1 | | RESTRICTED TO: - | |
| Customer Drawing | | SCALE: 5:1 | | SHEET 1 OF 3 | |
| | | REV: B27 | | | |

KEYING PLAN

| LOC | DIST | REV | DATE | BY | APPV |
|-------------|------|-----|------|----|------|
| A1 | - | 1 | - | - | - |
| SEE SHEET 1 | | | | | |



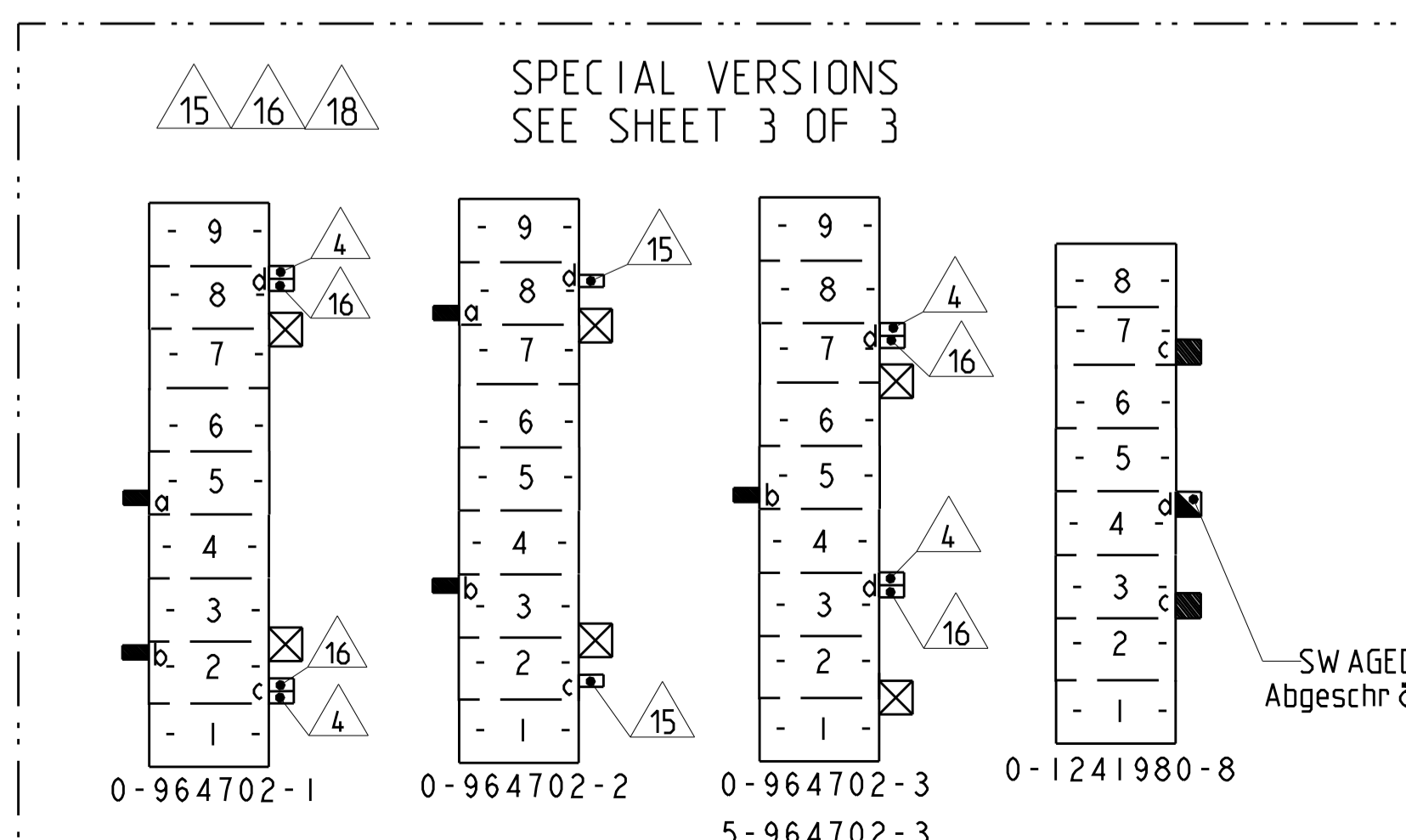
| PRELIMINARY | 2-1241965-4 | 4 | - | 20 | 15 | NATURAL | PA66 V-0 GW T750 | E | A | 1 | 12/13 |
|-------------|-------------|---|------|----|----|---------|------------------|---|---|---|-------|
| | 1-1241965-4 | 4 | 04-C | 20 | 15 | NATURAL | | E | A | 1 | 12/13 |
| | 8-1241965-2 | 2 | 02-C | 10 | 5 | NATURAL | | E | A | 1 | 12/13 |
| | 4-1241965-7 | 7 | - | 35 | 30 | NATURAL | | E | A | 1 | 12/13 |
| | 3-1241965-7 | 7 | 07-C | 35 | 30 | NATURAL | PA6 GF15 UL94V-2 | D | A | 1 | 12/13 |
| | 3-1241965-5 | 5 | 05-B | 25 | 20 | NATURAL | | D | A | 1 | 12/13 |

| PRELIMINARY | 8-2178600-2 | 2 | 02-C | 10 | 5 | NATURAL | PA6 GF15 UL94V-2 | B | A | 1 | 12/13 |
|-------------|-------------|---|------|----|---|---------|------------------|---|---|---|-------|
| | 5-2178600-2 | 2 | 02-B | 10 | 5 | BLACK | | B | B | 1 | 12/13 |
| | 4-2178600-2 | 2 | 02-I | 10 | 5 | RED | | B | B | 1 | 12/13 |
| | 3-2178600-2 | 2 | 02-G | 10 | 5 | BLUE | | B | B | 1 | 12/13 |
| | 0-2178600-2 | 2 | 02-A | 10 | 5 | NATURAL | | B | B | 1 | 12/13 |

| PRELIMINARY | 2-1241965-7 | 7 | 07-C | 35 | 30 | NATURAL | PA6 UL94V-2 | B | A | 1 | 12/13 |
|-------------|-------------|---|------|----|----|---------|-------------|----------------------------------------|---|---|-------|
| | 1-1241965-6 | 6 | 06-C | 30 | 25 | NATURAL | | B <td>1</td> <td>1</td> <td>12/13</td> | 1 | 1 | 12/13 |
| | 0-1241965-6 | 6 | 06-A | 30 | 25 | NATURAL | | B <td>A</td> <td>1</td> <td>12/13</td> | A | 1 | 12/13 |
| | 5-1241965-3 | 3 | - | 15 | 10 | NATURAL | | A | 1 | 1 | 12/13 |
| | 0-1241965-3 | 3 | - | 15 | 10 | NATURAL | | B <td>1</td> <td>1</td> <td>12/13</td> | 1 | 1 | 12/13 |
| | 6-1241965-2 | 2 | 02-E | 10 | 5 | NATURAL | | B <td>A</td> <td>1</td> <td>12/13</td> | A | 1 | 12/13 |

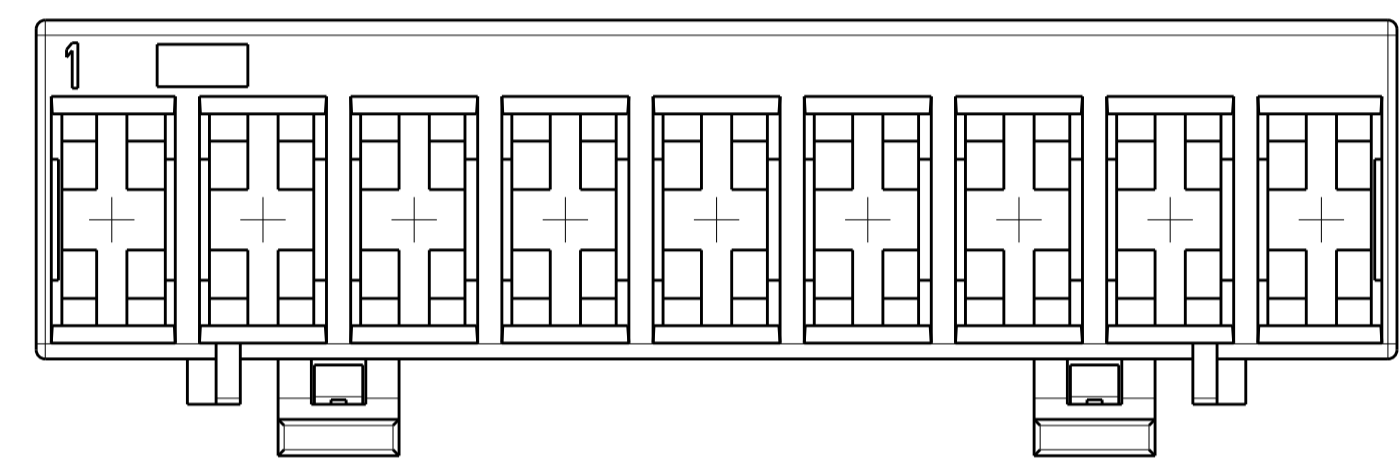
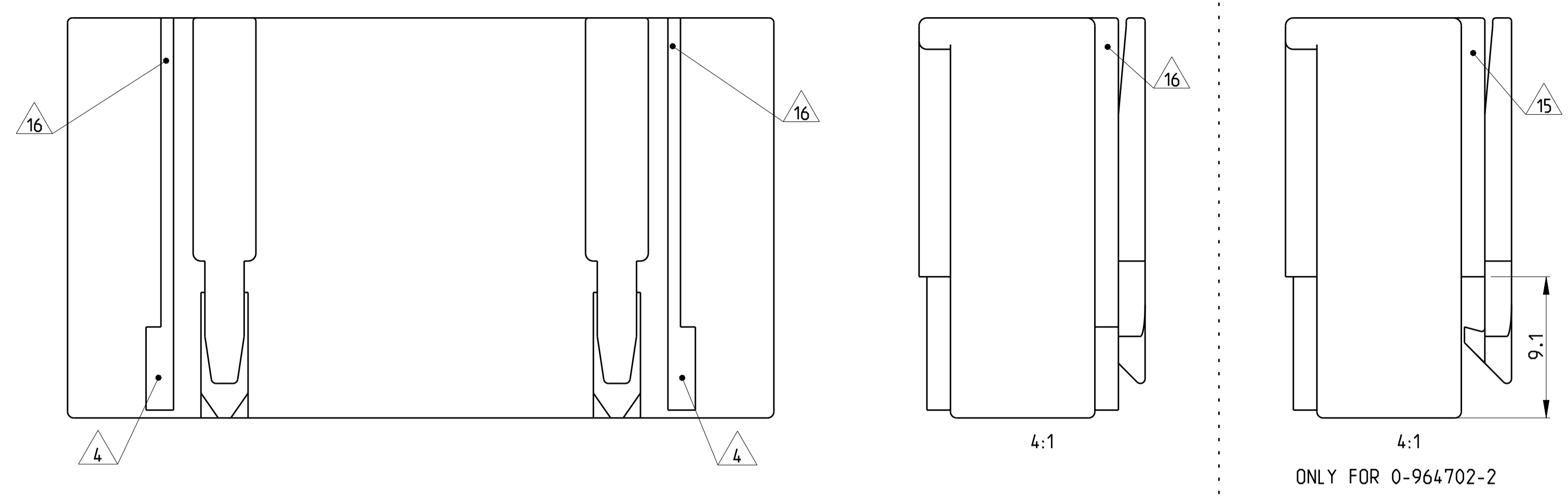
| PRELIMINARY | 5-2178029-5 | 5 | - | 25 | 20 | GREEN | PA66 UL94V-0 | B | A | 1 | 12/13 |
|-------------|-------------|---|------|----|----|---------|--------------|----------------------------------------|---|---|-------|
| | 2-2178029-5 | 5 | - | 25 | 20 | BLACK | | B <td>A</td> <td>1</td> <td>12/13</td> | A | 1 | 12/13 |
| | 4-2178029-4 | 4 | - | 20 | 15 | NATURAL | | B <td>1</td> <td>1</td> <td>12/13</td> | 1 | 1 | 12/13 |
| | 9-2178029-3 | 3 | - | 15 | 10 | YELLOW | | B <td>A</td> <td>1</td> <td>12/13</td> | A | 1 | 12/13 |
| | 1-2178029-3 | 3 | - | 15 | 10 | NATURAL | | B <td>1</td> <td>1</td> <td>12/13</td> | 1 | 1 | 12/13 |
| | 0-2178029-3 | 3 | - | 15 | 10 | NATURAL | | B <td>A</td> <td>1</td> <td>12/13</td> | A | 1 | 12/13 |
| | 5-2178029-2 | 2 | 02-B | 10 | 5 | NATURAL | | B <td>1</td> <td>1</td> <td>12/13</td> | 1 | 1 | 12/13 |
| | 4-2178029-2 | 2 | 02-I | 10 | 5 | NATURAL | | B <td>1</td> <td>1</td> <td>12/13</td> | 1 | 1 | 12/13 |
| | 3-2178029-2 | 2 | 02-K | 10 | 5 | NATURAL | | B <td>1</td> <td>1</td> <td>12/13</td> | 1 | 1 | 12/13 |
| | 2-2178029-2 | 2 | 02-B | 10 | 5 | BLACK | | B <td>A</td> <td>1</td> <td>12/13</td> | A | 1 | 12/13 |
| | 1-2178029-2 | 2 | 02-I | 10 | 5 | RED | | B <td>A</td> <td>1</td> <td>12/13</td> | A | 1 | 12/13 |
| | 0-2178029-2 | 2 | 02-K | 10 | 5 | GREEN | | B <td>A</td> <td>1</td> <td>12/13</td> | A | 1 | 12/13 |

| PART NO. | POS. | RAST 5 | DIM A | DIM B | COLOUR | MATERIAL | LOCKING LATCH | REV. | MATED WITH |
|---------------|------|--------|-------|-------|--------|----------|---------------|------|--------------|
| Bestell-Nr. | Pol. | Rast 5 | Maß A | Maß B | Farbe | | Rasthaken | Rev. | Gegenstecker |
| TABLE/TABELLE | | | | | | | | | |

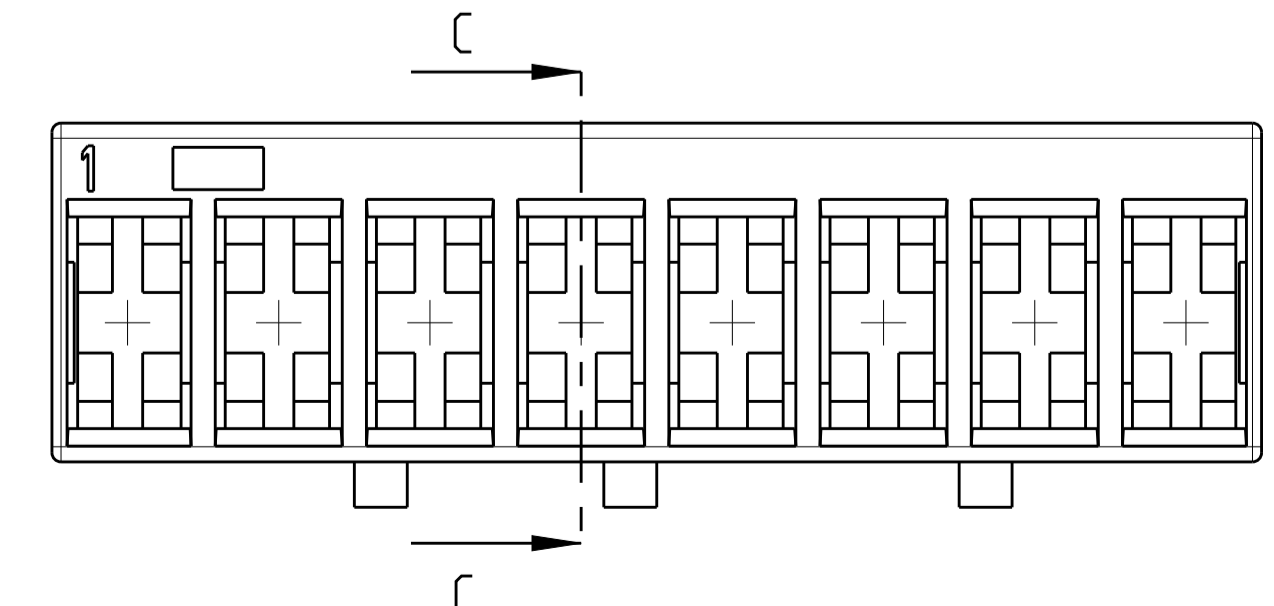
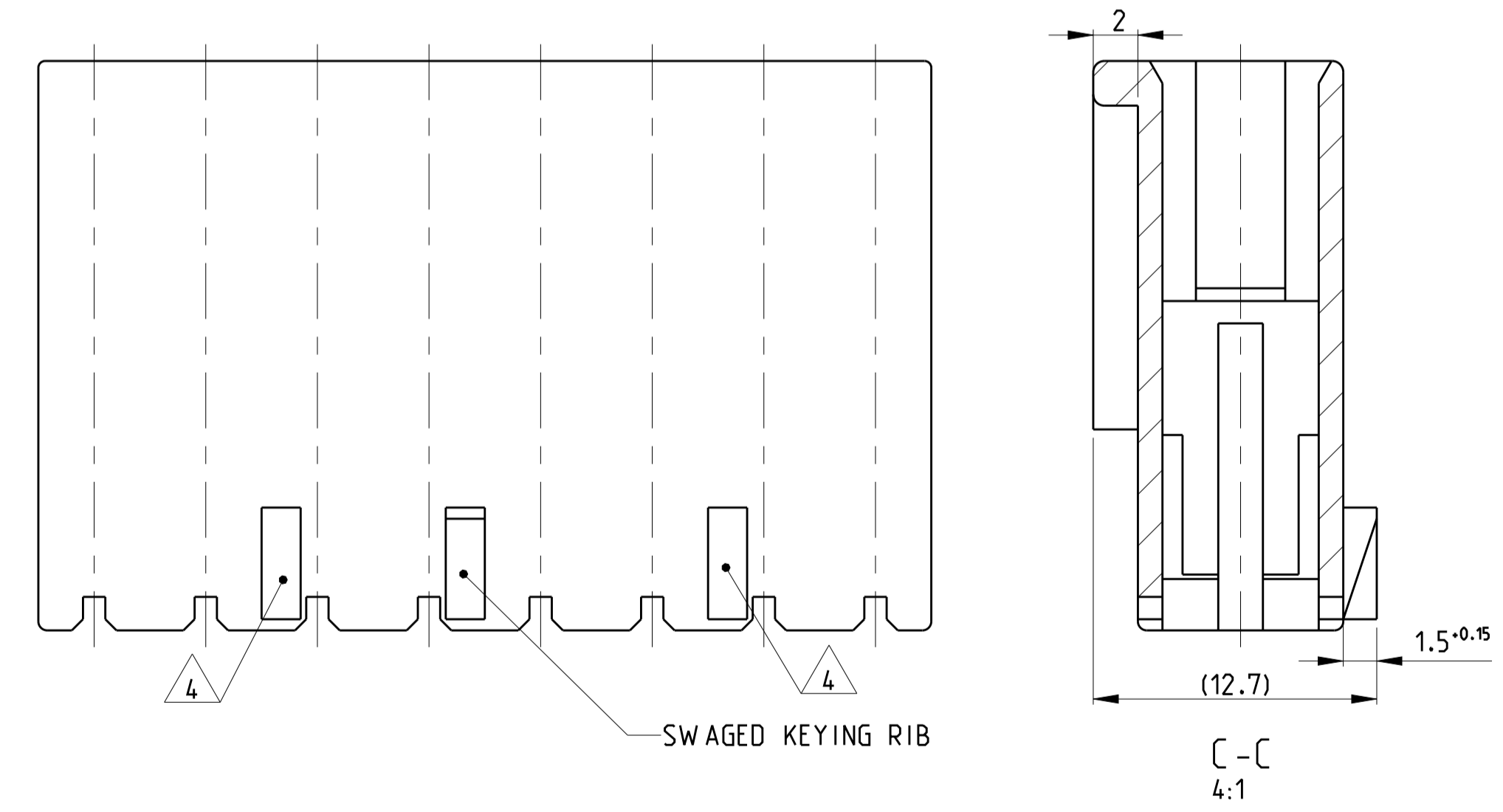


| PRELIMINARY | 7-1241965-2 | 2 | 02-M | 10 | 5 | NATURE | UL94 V-0 | B | 1 | 12/13 |
|-------------|---------------|------|--------|-------|-------|-----------------------|----------|---------------|------|----------------|
| | 0-1241980-8 | 8 | - | 40 | 35 | NATURE/natur | UL94V-0 | - | B | 12/13 |
| | 5-964702-3 | - | - | - | - | NATURE/natur | | | | |
| | 0-964702-3 | 9 | - | 45 | 40 | NATURE/natur | UL94V-2 | C | E | |
| | 0-964702-2 | - | - | - | - | BLACK/schwarz | | | | |
| | 0-964702-1 | - | - | - | - | NATURE/natur | | | | |
| | 0-964983-6 | 6 | 06-A | 30 | 25 | WHITE/weiß | | | | |
| | 3-1241817-4 | 4 | 04-G | 20 | 15 | GREY/grau | | | | |
| | 2-964983-4 | 4 | 04-F | 20 | 15 | ORANGE/orange | | | | |
| | 2-1241817-3 | 3 | 03-K | 15 | 10 | GREEN/grün | UL94V-2 | B | D | 12/13 |
| | 28-964983-2 | 2 | 02-M | 10 | 5 | VIOLET/violett (lila) | | | | |
| | 2-964983-2 | 2 | 02-G | 10 | 5 | BLUE/blau | | | | |
| | 3-969484-2 | 2 | 02-D | 10 | 5 | BLACK/schwarz | | | | |
| | 1-1241965-1 | 11 | 11-B | 55 | 50 | NATURE/natur | | | | |
| | 0-1241965-9 | 9 | 09-D | 45 | 40 | NATURE/natur | | | | |
| | 0-1241965-8 | 8 | 08-D | 40 | 35 | NATURE/natur | | | | |
| | 1-1241965-7 | 7 | - | 35 | 30 | NATURE/natur | | | | |
| | 0-1241965-7 | 7 | - | 35 | 30 | NATURE/natur | | | | |
| | 2-1241965-6 | 6 | 06-D | 30 | 25 | NATURE/natur | | | | |
| | 2-1241965-5 | 5 | 05-B | 25 | 20 | NATURE/natur | UL94V-2 | B | B | 12/13 |
| | 0-1241965-5 | 5 | - | 25 | 20 | NATURE/natur | | | | |
| | 0-1241965-4 | 4 | 04-C | 20 | 15 | NATURE/natur | | | | |
| | 9-1241965-2 | 2 | - | 10 | 5 | NATURE/natur | | | | |
| | 5-1241965-2 | 2 | 02-B | 10 | 5 | BLACK/schwarz | | | | |
| | 4-1241965-2 | 2 | 02-I | 10 | 5 | RED/rot | | | | |
| | 3-1241965-2 | 2 | 02-G | 10 | 5 | BLUE/blau | | | | |
| | 0-1241965-2 | 2 | 02-A | 10 | 5 | NATURE/natur | | | | |
| | 1-928247-1 | 11 | 11-B | 55 | 50 | YELLOW/gelb | | | | |
| | 2-928247-0 | 10 | - | 50 | 45 | GREY/grau | | | | |
| | 1-928247-0 | 10 | - | 50 | 45 | BROWN/braun | UL94V-2 | B | | 964703-3 12/13 |
| | 2-928247-9 | 9 | 09-D | 45 | 40 | BLUE/blau | | | | |
| | 0-928247-8 | 8 | 08-D | 40 | 35 | BLUE/blau | | | | |
| | 6-928247-7 | 7 | - | 35 | 30 | GREEN/grün | | | | |
| | 4-928247-7 | 7 | - | 35 | 30 | NATURE/natur | | | | |
| | 3-928247-7 | 7 | - | 35 | 30 | NATURE/natur | UL94V-0 | A | | |
| | 0-928247-7 | 7 | 07-C | 35 | 30 | GREY/grau | | | | |
| | 2-928247-6 | 6 | 06-D | 30 | 25 | BLUE/blau | | | | |
| | 0-1703150-6 | 6 | 06-C | 30 | 25 | GREY/grau | | | | |
| | 0-928247-6 | 6 | 06-C | 30 | 25 | GREY/grau | UL94V-2 | B | | |
| | 6-928247-5 | 5 | - | 25 | 20 | NATURE/natur | | | | |
| | 5-928247-5 | 5 | - | 25 | 20 | GREEN/grün | | | | |
| | 3-928247-5 | 5 | 05-D | 25 | 20 | BLUE/blau | | | | |
| | 2-1703150-5 | 5 | 05-B | 25 | 20 | BLACK/schwarz | | | | |
| | 2-928247-5 | 5 | 05-B | 25 | 20 | BLACK/schwarz | | | | |
| | 9-928247-4 | 4 | - | 20 | 15 | NATURE/natur | UL94V-0 | A | | |
| | 5-928247-4 | 4 | 04-B | 20 | 15 | BLACK/schwarz | | | | |
| | 4-928247-4 | 4 | 04-A | 20 | 15 | NATURE/natur | | | | |
| | 3-928247-4 | 4 | 04-G | 20 | 15 | VIOLET/violett (lila) | | | | |
| | 2-928247-4 | 4 | 04-F | 20 | 15 | WHITE/weiß | | | | |
| | 0-928247-4 | 4 | 04-C | 20 | 15 | GREY/grau | | | | |
| | 5-928247-3 | 3 | - | 15 | 10 | NATURE/natur | | | | |
| | 4-928247-3 | 3 | 03-H | 15 | 10 | BROWN/braun | | | | |
| | 3-928247-3 | 3 | 03-D | 15 | 10 | BLUE/blau | | | | |
| | 2-928247-3 | 3 | 03-G | 15 | 10 | VIOLET/violett (lila) | UL94V-2 | A | | |
| | 0-928247-3 | 3 | - | 15 | 10 | YELLOW/gelb | | | | |
| | 9-928247-2 | 2 | - | 10 | 5 | NATURE/natur | | | | |
| | 8-928247-2 | 2 | 02-C | 10 | 5 | GREY/grau | | | | |
| | 7-928247-2 | 2 | 02-P | 10 | 5 | PURPLED/purpurnot | | | | |
| | 6-928247-2 | 2 | 02-A | 10 | 5 | NATURE/natur | | | | |
| | 5-928247-2 | 2 | 02-E | 10 | 5 | GREEN/grün | | | | |
| | 4-928247-2 | 2 | 02-K | 10 | 5 | YELLOW GREEN/gelbgrün | | | | |
| | 3-928247-2 | 2 | 02-I | 10 | 5 | ORANGE/orange | | | | |
| | 2-928247-2 | 2 | 02-O | 10 | 5 | PINK/rosa | | | | |
| | 0-928247-2 | 2 | 02-B | 10 | 5 | BLACK/schwarz | | | | |
| | PART NO. | POS. | RAST 5 | DIM A | DIM B | COLOUR | MATERIAL | LOCKING LATCH | REV. | MATED WITH |
| | Bestell-Nr. | Pol. | Rast 5 | Maß A | Maß B | Farbe | | Rasthaken | Rev. | Gegenstecker |
| | TABLE/TABELLE | | | | | | | | | |

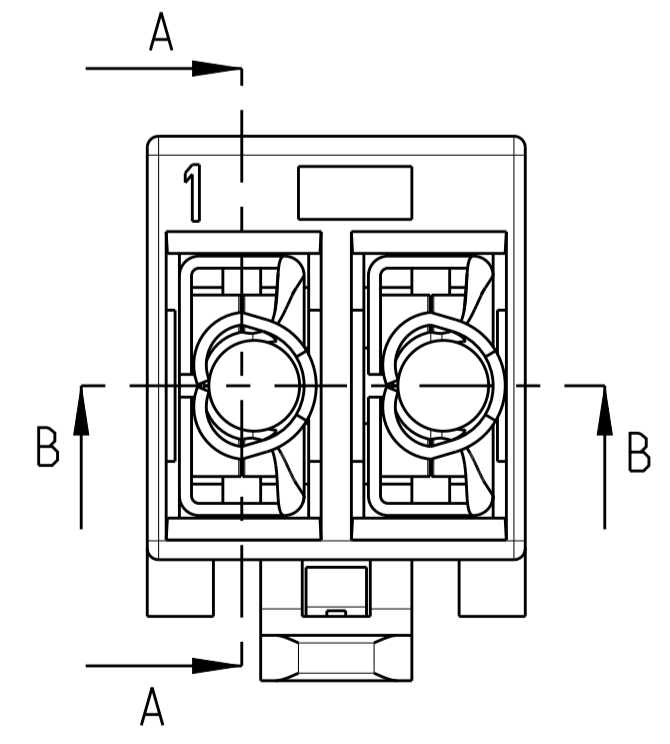
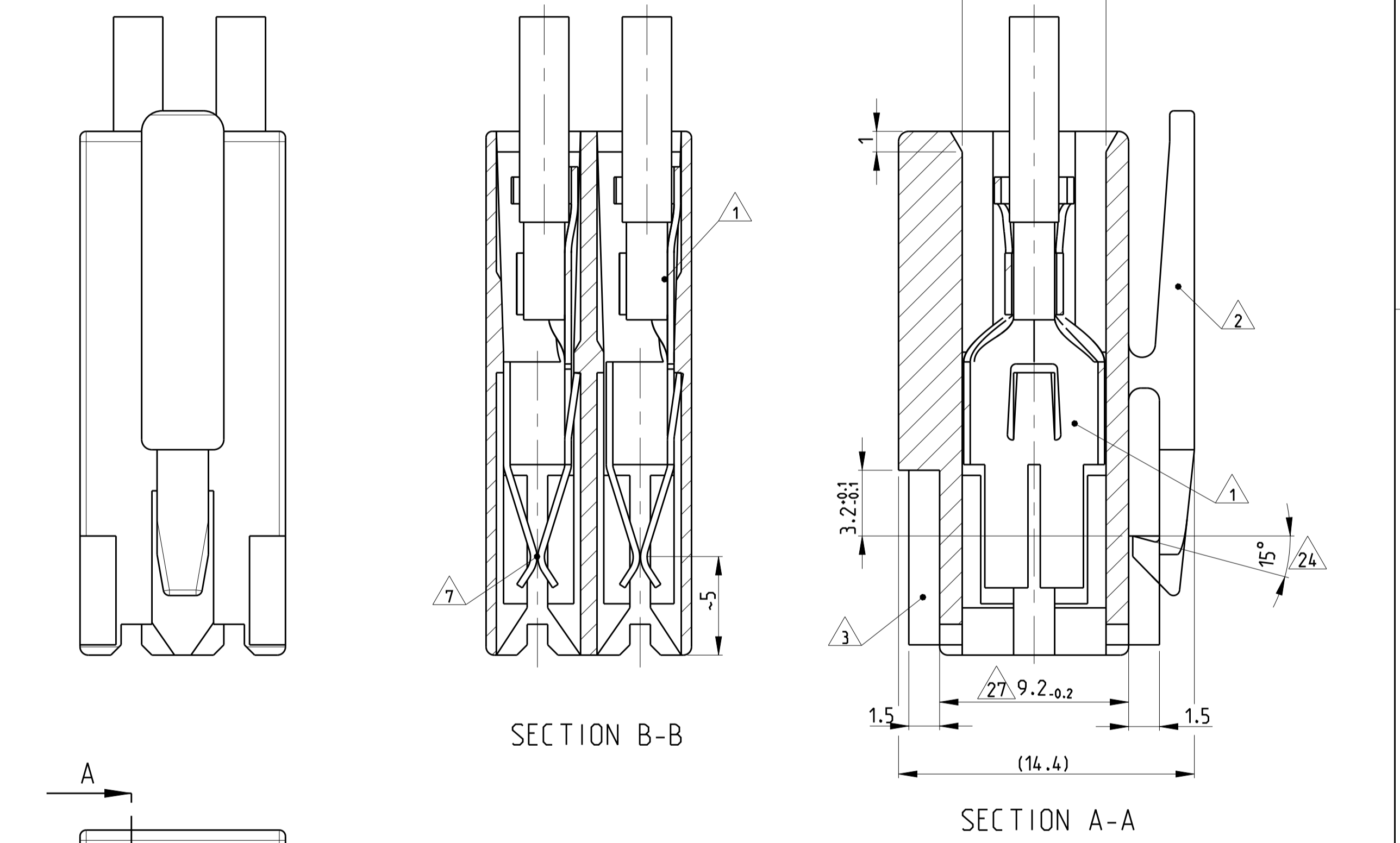
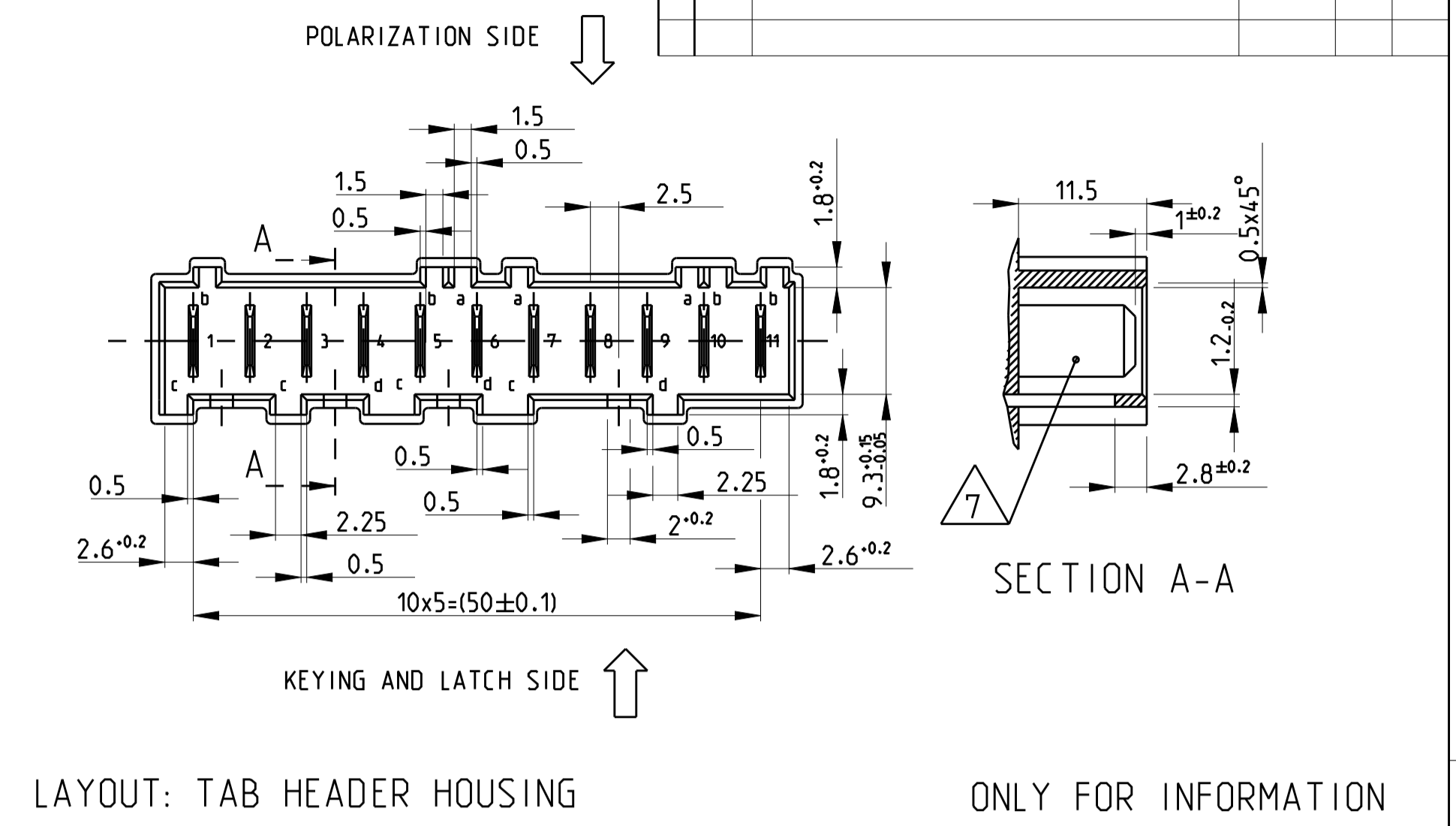
SPECIAL VERSIONS $\triangle 15$ $\triangle 16$
 9 POS STD. TIMER HSG. WITH TANGLING PROTECTION



SPECIAL VERSION $\triangle 18$
 8 POS SPECIAL STD. TIMER HSG.



| LOC | DIST | REV | DESCRIPTION | DATE | DRN | APVD |
|-----|------|-----|-------------|------|-----|------|
| A1 | - | - | SEE SHEET 1 | - | - | - |



| | | | |
|-----------------------------------------------------|--|-----------------------------|-----------------------------------------------------------|
| THIS DRAWING IS A CONTROLLED DOCUMENT. | | DRN: Kishor M 07-NOV-06 | TE Connectivity |
| DIMENSIONS: mm | | CHK: K. Munz 07-NOV-06 | |
| TOLERANCES UNLESS OTHERWISE SPECIFIED: ±0.2 | | APVD: Th. Klenner 07-NOV-06 | NAME: 2-12 POS. STANDARD TIMER HSG. WITH EXTERIOR LOCKING |
| 0-PLC ± 1-PLC ± 2-PLC ± 3-PLC ± 4-PLC ± | | PRODUCT SPEC: 108-18049 | 2-12 Pos. Standard Timer Gehäuse mit Aussenrastung |
| MATERIAL: SEE TABLE | | APPLICATION SPEC: - | SIZE: A1 |
| ANGLES: - | | FINISH: - | CAGE CODE: C=1241965 |
| WEIGHT: - | | Customer Drawing | RESTRICTED TO: - |
| SCALE: 5:1 | | SHEET: 3 of 3 | REV: B27 |